

# Vertical lifting fabric door

## ASSA ABLOY VL3116 Megadoor

**ASSA ABLOY**

ASSA ABLOY Entrance Systems

The global leader in  
door opening solutions



### Extra large size vertical lifting fabric door

The ASSA ABLOY VL3116 Megadoor vertical lifting fabric door is especially designed for extreme industrial environments where doors are exposed to moisture, dust and very high or low temperatures, or where the door opening is large.

The unique design and structure offers durability, tightness, energy efficiency, operational reliability and minimum maintenance. Every door is individually designed to meet application requirements, for example wind load.

The main advantages of the unique ASSA ABLOY VL3116 Megadoor are:

- Robust design
- Operational reliability
- Low maintenance cost
- Well sealed
- Flexible design
- Suitable for tough industrial environment
- Top-class safety and quality
- Automatic door control

#### Resistant to damage

- Thanks to the flexible design, minor collisions do not cause permanent damage.
- There are no hinges, springs, cables or couplings that can be damaged if anything collides with the door.

#### Withstands high wind loads

- By designing the door leaf with a suitable number and type of intermediate beams, the ASSA ABLOY vertical lifting fabric door can be dimensioned to withstand high wind loads.

#### Extreme weather has no influence

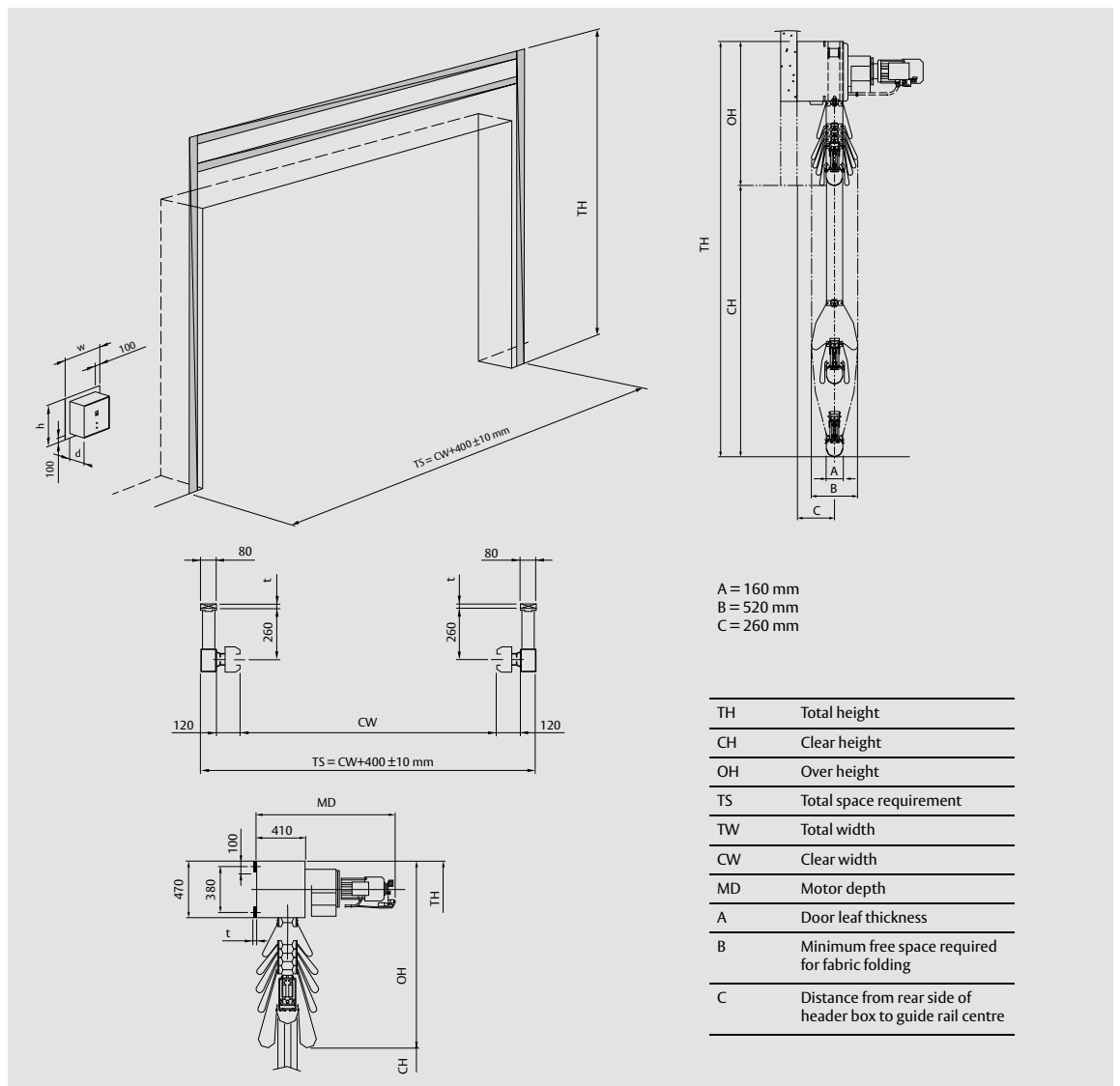
- The ASSA ABLOY vertical lifting fabric door is made of highly durable materials that easily cope with temperatures from -35°C to +70°C.
- The reinforced, UV-resistant, flame-resistant door fabric is protected against mildew and rot.

### Technical Data

Max size (W / H) <sup>1</sup>	14000 / 16000 mm
Door leaf thickness	160 mm
Guide rails material	aluminium
Vision panels	optional
Wind load resistance <sup>2</sup> (differential pressure)	0.45-1.6 kPa depending on size (class 2-5, EN 12424)
Sound reduction (standard)	15 dB Rw (ISO 717)
Water resistance, EN 12425	class 3
Air permeability, EN 12426	class 2
Thermal transmittance, EN 12428	depending on door size, specific data on request
Normal opening speed	0,2 - 0,3 m/s
Increased opening speed	0,4 - 0,6 m/s
Operating environment temperature range	-35°C to +70°C

1) Other sizes on request 2) Higher wind load classification on request

# Dimensional specifications



## Options



### Vision Panels

Vision panels (windows) are available for the standard and arctic fabrics to improve light admission and visibility through the door leaf. The vision panels are available in four different sizes.



### Arctic Fabric

The arctic fabric replaces the standard fabric in environments where the temperature can be as low as -54°C.



### Sound-reduction Fabric

The sound-reduction fabric is for use in environments where the transmission of sound through the door must be reduced. It is installed on both sides of the door leaf.



### Insulation

The insulated fabric is for use in environments where thermal loss is important. It is installed on both sides of the door leaf behind the standard fabric.



### Security Fabric

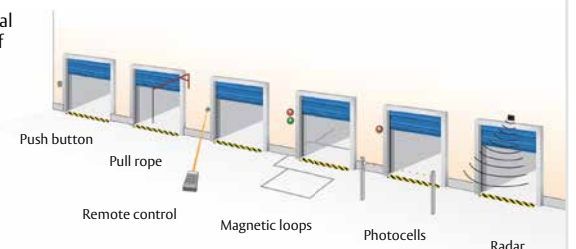
The security fabric is for use in environments where security is important. It is similar to the standard fabric with the addition of galvanized steel wires inside the fabric. It is installed on both sides of the door leaf behind the standard fabric.



### Heat-resistant Fabric

The heat-resistant fabric replaces the standard fabric on the inside of the door leaf when there is a requirement to contain heat and/or chemical hazards. It is available with three different coatings dependant on the environment where it is going to be used.

## Access and automation



## Standard available colours



Beige  
RAL 1001



Signal red  
RAL 3001



Fir green  
RAL 6009



Anthracite grey  
RAL 7016



Traffic white  
RAL 9016



Signal yellow  
RAL 1003



Signal blue  
RAL 5005



Signal grey  
RAL 7004



White Aluminium  
RAL 9006



Translucent white